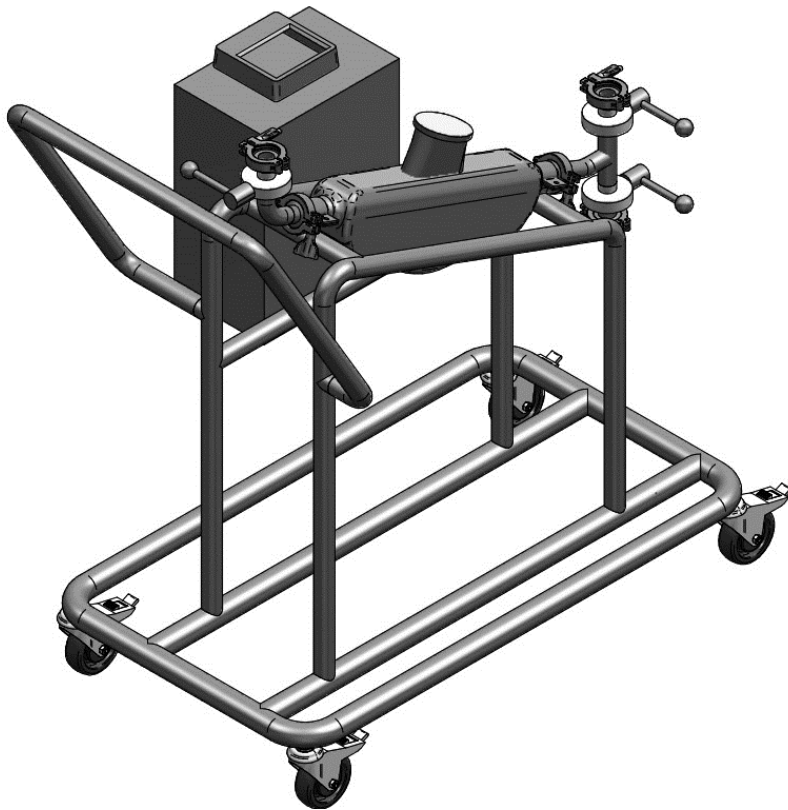


For accurate and cost effective vessel calibration, CPME GmbH has combined the precision of a Coriolis mass flow meter with the most reliable data acquisition system. Together, mounted in a mobile frame, makes our Mobile Calibration Unit the ideal system for vessel capacity validation under GMP standards.

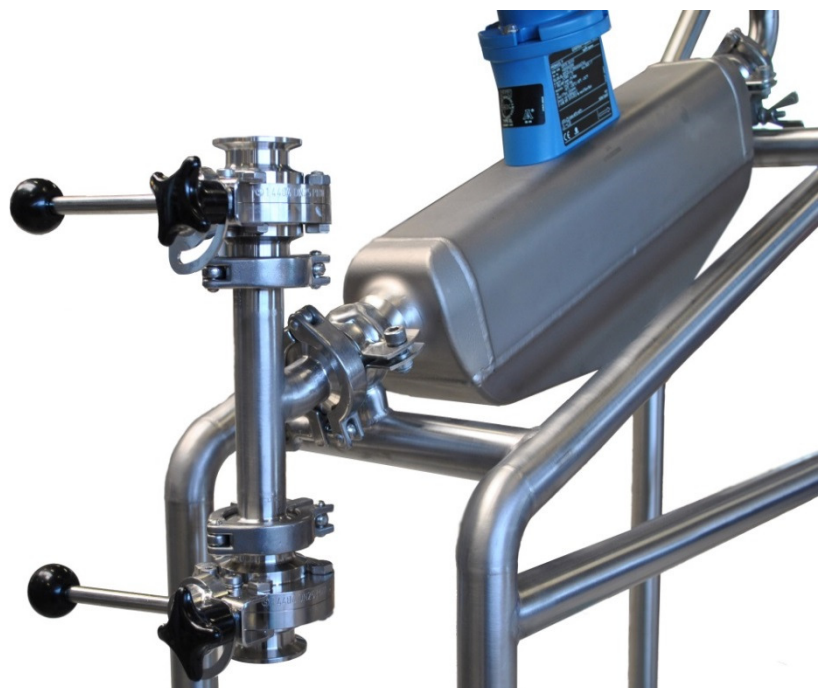


FEATURES

- ✓ High performance Coriolis flowmeter: ± 0.1 % max. measured flow rate (mass or volume).
- ✓ Self-drainable, compact, mobile design - easy to transport and install
- ✓ Safe, reliable data archiving with internal memory and separate CompactFlash card (mechanically locked). No data loss even in event of power failure!
- ✓ Flexible, direct access to archived data also with MS[®] Excel, in ReadWin 2000 or in the SQL based Field Data Manager Software (FDM) for example.
- ✓ Hygienic, sterile & aseptic GMP versions, CIP'able
- ✓ All part in contact with product in AISI 316L, with Internal surface 0.8 Ra or better

OPTIONS

- Measuring range up to 70,000 kg/h (0 to 2,570 lb/min)
- Data transfer options: HART, PROFIBUS PA/DP, FOUNDATION Fieldbus, Modbus, RS485, EtherNet/IP.
- Other certificates and approvals: 3.1 material, calibration performed on accredited calibration facilities (acc. to ISO/IEC 17025), NAMUR, SIL, PED, CRN, 3A, EHEDG, FDA, ASME BPE, ISPE



About Us

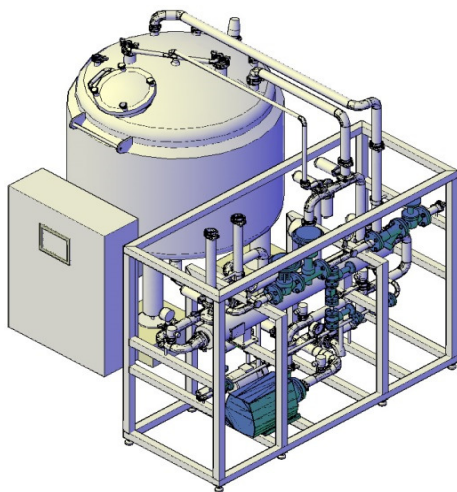
With its headquarters in southern Germany, CPME is a recently formed design, engineering and project management company delivering innovative solutions to the pharmaceutical and biotechnology sectors. Specializing in the turnkey provision of technically advanced and engineered solutions for the provision of process systems required in the production of a range of medicines including:

- Vaccines
- Antibiotics
- Injectibles, Infusions
- Oral preparations, solid dosage and suspensions
- General use drugs, creams and lotions

With offices currently in Germany, Beijing, Moscow and Hong Kong, CPME is uniquely positioned to leverage its wealth of predominantly European based expert knowledge along with an extensive network of trusted partners, in order to provide cost-effective solutions regionally and globally.

The background of the engineering resources of CPME does not directly originate from the pharmaceutical sector but from the dairy, drinks & food markets. This brings a broad range of experience to the company now balanced along with many further years of experience in the pharma and bio-tech sectors.

Furthermore, CPME offers in depth knowledge in topics such as construction, utility and electrical services, automation and control systems, building and infrastructure, clean room design and many more related subjects.



Services & Solutions

CPME can specifically provide services and solutions in both sterile and aseptic applications for the following:

- Media preparation and storage.
- Ingredient handling, blending and filtration.
- Fermenter and reactor systems.
- Final product treatment and storage.
- PW, WFI and PSG systems, storage and distribution.
- CIP, SIP and DIP.
- Utility provision, both clean and industrial (black).

CPME can offer our customers the following expertise:

- Conceptual, initial & detailed process design.
- Equipment & component specification and sourcing.
- On-site mechanical, electrical & control system supervision.
- Project management, from a single unit scope of supply up to complete turnkey solution provider.
- Process & project engineering as well as electrical & automation engineering.
- CAD resources, both in 2D & 3D.
- Validation & documentation support to EU Pharmacopeia, US FDA, CFDA (China) & PIC/s standards.
- All services delivered in accordance with our own high standards of GEP (Good Engineering Practice) & to all cGMP & cGAMP regulations.

GERMANY OFFICE

CPME GmbH
Wuerzburger Strasse 7
86720 Noerdlingen,
Germany
T +49 9081 29010 30
F +49 9081 29010 50
E info@cpme-gmbh.com

CHINA OFFICE

CPME China
7A, Tower B, Wangjing Building,
Zhong Huan Nan Lu 9,
Chaoyang District, Beijing, PR of China
T +86 10 84729972/3
F +86 10 84729973-111
E info@cpme-gmbh.cn

HONG KONG OFFICE

CPME Asia Pacific
C6, 11/F, Tak Wing Ind. Bldg.
3 Tsun Wen Rd, Tuen Mun,
Hong Kong
T +852 3689 8991
F +852 3689 8992
E info@cpme-gmbh.com

RUSSIA OFFICE

CPME CIS & Russia
Bibirevskaya Street 17B
127549 Moscow,
Russia
T +7 499 653 76 43
F +7 499 653 76 43
E info@cpme-gmbh.com