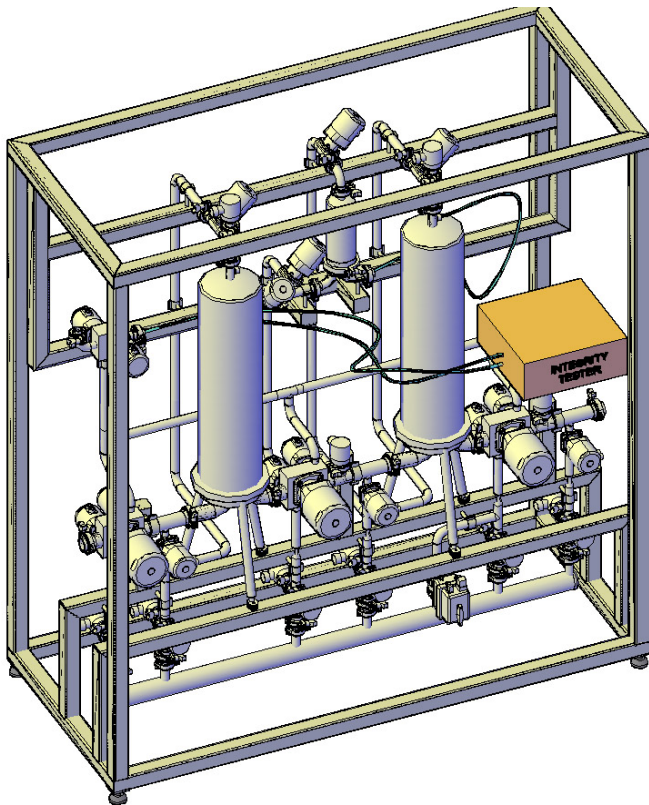


Whether for prefiltration or sterilization, barrier filtration is one of the critical steps to ensure product quality in Life Science products. In response, CPME GmbH has created a filtration solution tailored to GMP standards with varying levels of complexity and options.



## FEATURES

- ✓ Compact, modular design - easy to transport and install
- ✓ Hygienic, sterile & aseptic GMP versions, CIP & SIP'able
- ✓ Integrity test ready. Sterile Air filter and WFI connection
- ✓ With aseptic diaphragm valves or aseptic seat valves
- ✓ Equipped with temperature, pressure and level transmitter to assure reproducibility and traceability
- ✓ All part in contact with product in AISI 316L, with Internal surface 0.8 Ra or better
- ✓ 100% drainable with open design for easy maintenance

## OPTIONS

- Available in 4 models suitable for production capacities up to 20 m<sup>3</sup>/hr
- 1, 3, 5 or 8 (10") cartridges per housing
- Transfer Pump
- Flow Transmitter
- Fixed design or mobile
- ATEX version available
- cGMP compliant standalone automation system or integrated with customer's production system
- Duty / standby filter set options available



## About Us

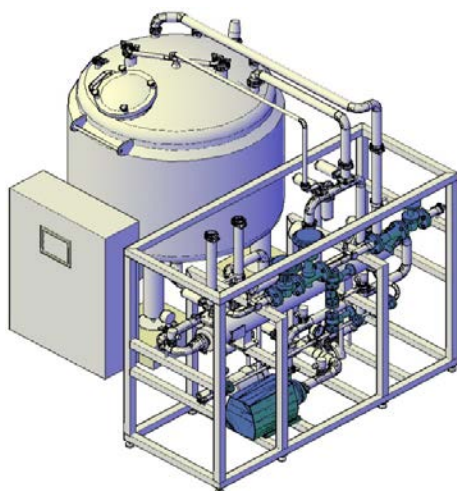
With its headquarters in southern Germany, CPME is a recently formed design, engineering and project management company delivering innovative solutions to the pharmaceutical and biotechnology sectors. Specializing in the turnkey provision of technically advanced and engineered solutions for the provision of process systems required in the production of a range of medicines including:

- Vaccines
- Antibiotics
- Injectibles, Infusions
- Oral preparations, solid dosage and suspensions
- General use drugs, creams and lotions

With offices currently in Germany, Beijing, Moscow and Hong Kong, CPME is uniquely positioned to leverage its wealth of predominantly European based expert knowledge along with an extensive network of trusted partners, in order to provide cost-effective solutions regionally and globally.

The background of the engineering resources of CPME does not directly originate from the pharmaceutical sector but from the dairy, drinks & food markets. This brings a broad range of experience to the company now balanced along with many further years of experience in the pharma and bio-tech sectors.

Furthermore, CPME offers in depth knowledge in topics such as construction, utility and electrical services, automation and control systems, building and infrastructure, clean room design and many more related subjects.



## Services & Solutions

**CPME can specifically provide services and solutions in both sterile and aseptic applications for the following:**

- Media preparation and storage.
- Ingredient handling, blending and filtration.
- Fermenter and reactor systems.
- Final product treatment and storage.
- PW, WFI and PSG systems, storage and distribution.
- CIP, SIP and DIP.
- Utility provision, both clean and industrial (black).

**CPME can offer our customers the following expertise:**

- Conceptual, initial & detailed process design.
- Equipment & component specification and sourcing.
- On-site mechanical, electrical & control system supervision.
- Project management, from a single unit scope of supply up to complete turnkey solution provider.
- Process & project engineering as well as electrical & automation engineering.
- CAD resources, both in 2D & 3D.
- Validation & documentation support to EU Pharmacopeia, US FDA, CFDA (China) & PIC/s standards.
- All services delivered in accordance with our own high standards of GEP (Good Engineering Practice) & to all cGMP & cGAMP regulations.

### GERMANY OFFICE

**CPME GmbH**  
Wuerzburger Strasse 7  
86720 Noerdlingen,  
Germany  
T +49 9081 29010 30  
F +49 9081 29010 50  
E info@cpme-gmbh.com

### CHINA OFFICE

**CPME China**  
7A, Tower B, Wangjing Building,  
Zhong Huan Nan lu 9,  
Chaoyang District, Beijing, PR of China  
T +86 10 84729972/3  
F +86 10 84729973-111  
E info@cpme-gmbh.cn

### HONG KONG OFFICE

**CPME Asia Pacific**  
C6, 11/F, Tak Wing Ind. Bldg.  
3 Tsun Wen Rd, Tuen Mun,  
Hong Kong  
T +852 3689 8991  
F +852 3689 8992  
E info@cpme-gmbh.com

### RUSSIA OFFICE

**CPME CIS & Russia**  
Bibirevskaya Street 17B  
127549 Moscow,  
Russia  
T +7 499 653 76 43  
F +7 499 653 76 43  
E info@cpme-gmbh.com